

## SUBCON 9/F-SH

Order No.: 2761499

The illustration shows version SUBCON 9/M-SH

<http://eshop.phoenixcontact.de/phoenix/treeViewClick.do?UID=2761499>

SUB-D connector with one cable entry, 9-pos., female version



RS-232 RS-422

### Commercial data

EAN	4017918064730
Pack	1 Pcs.
Customs tariff	85366990
Weight/Piece	0.0498 KG
Catalog page information	Page 459 (IF-2007)

### Product notes

WEEE/RoHS-compliant since:  
10/17/2006

<http://www.download.phoenixcontact.com>  
Please note that the data given here has been taken from the online catalog. For comprehensive information and data, please refer to the user documentation. The General Terms and Conditions of Use apply to Internet downloads.

### Technical data

#### General data

Nominal voltage $U_N$	60 V AC/DC
Nominal current $I_N$	1 A
Insertion/withdrawal cycles	> 200
Max. cable diameter	10 mm

Min. cable diameter	4 mm
SUBCON fixing screws	4-40 UNC
Tightening torque	0.4 Nm
Ambient temperature (operation)	-20 °C ... 75 °C
Housing material	ABS, metal-plated
Pin assignment	All connections are 1:1 on the screw terminal block

**Connection data**

Connection	D-SUB connection
Number of positions	9
Type of connection	D-SUB female connector
Connection	PCB connection
Type of connection	Screw connection
Conductor cross section solid min.	0.14 mm <sup>2</sup>
Conductor cross section solid max.	1.5 mm <sup>2</sup>
Conductor cross section stranded min.	0.14 mm <sup>2</sup>
Conductor cross section stranded max.	1 mm <sup>2</sup>
Conductor cross section AWG/kcmil min.	26
Conductor cross section AWG/kcmil max	16
Stripping length	5 mm
Tightening torque	0.4 Nm

**Certificates / Approvals**

Approval logo



**requested approbations**

Certification	CUL, GOST, UL
---------------	---------------

**Accessories**

Item	Designation	Description
------	-------------	-------------

**Assembly**

2799694	SUBCON-SHORT-SCREW	Optional fixing screw, short (w/o knurl)
---------	--------------------	--

**Literature**

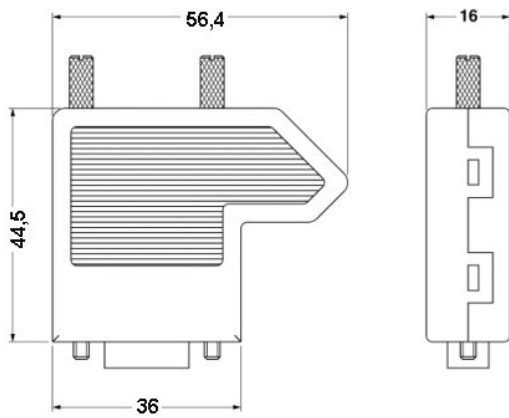
2743792	IBS SYS PRO INST UM	User Manual, German, for project planning and installation of the INTERBUS system, with collection of data sheets
2743802	IBS SYS PRO INST UM E	User Manual, English, for project planning and installation of the INTERBUS system, with collection of data sheets

**Tools**

1772793	CRIMPFOX-1,6-ER-1,50-GH	Crimping pliers, for IBS DSUB.../C
---------	-------------------------	------------------------------------

**Drawings**

Dimensioned drawing



**Address**

PHOENIX CONTACT Inc., USA  
586 Fulling Mill Road  
Middletown, PA 17057, USA  
Phone (800) 888-7388  
Fax (717) 944-1625  
<http://www.phoenixcon.com>



© 2008 Phoenix Contact  
Technical modifications reserved;